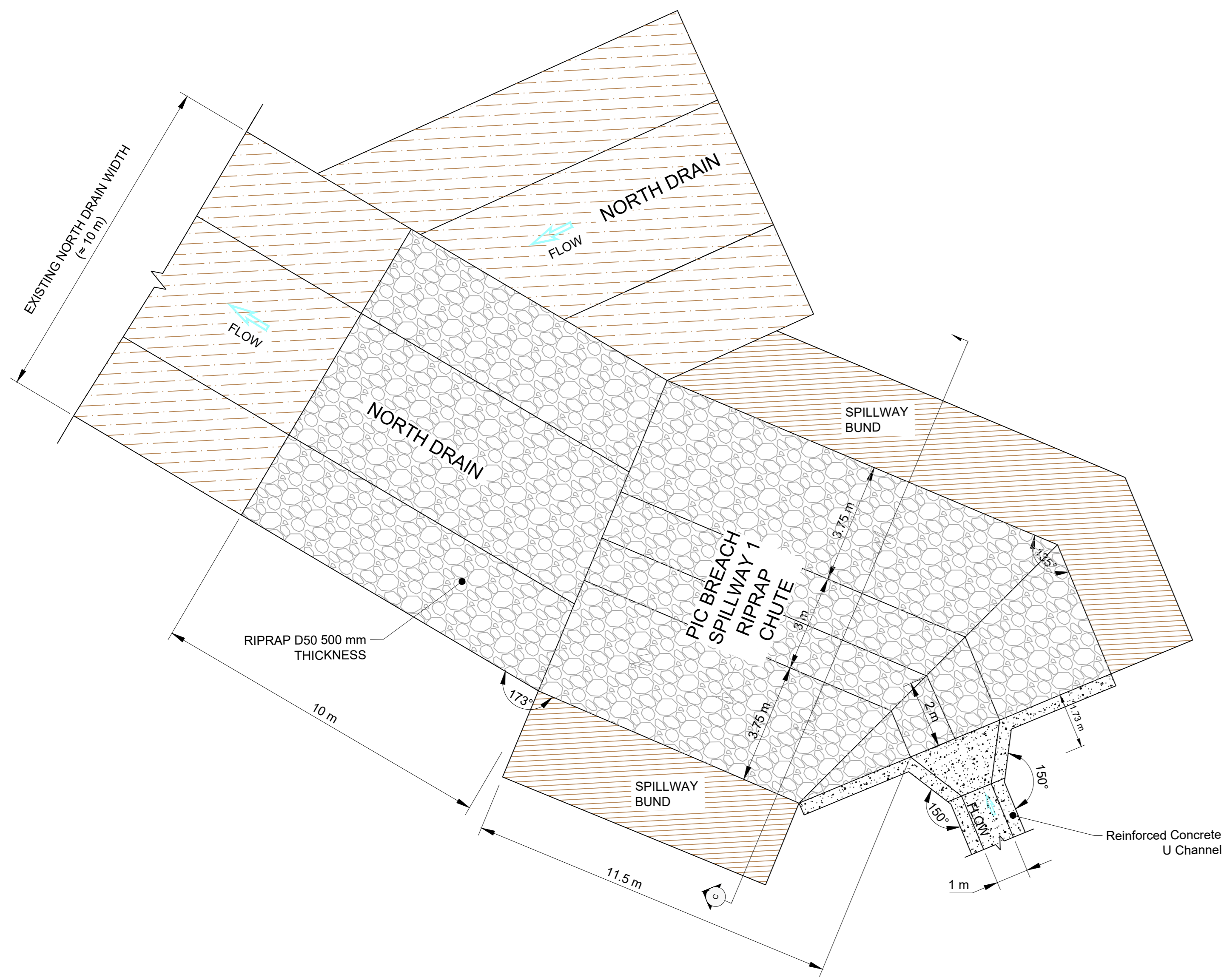
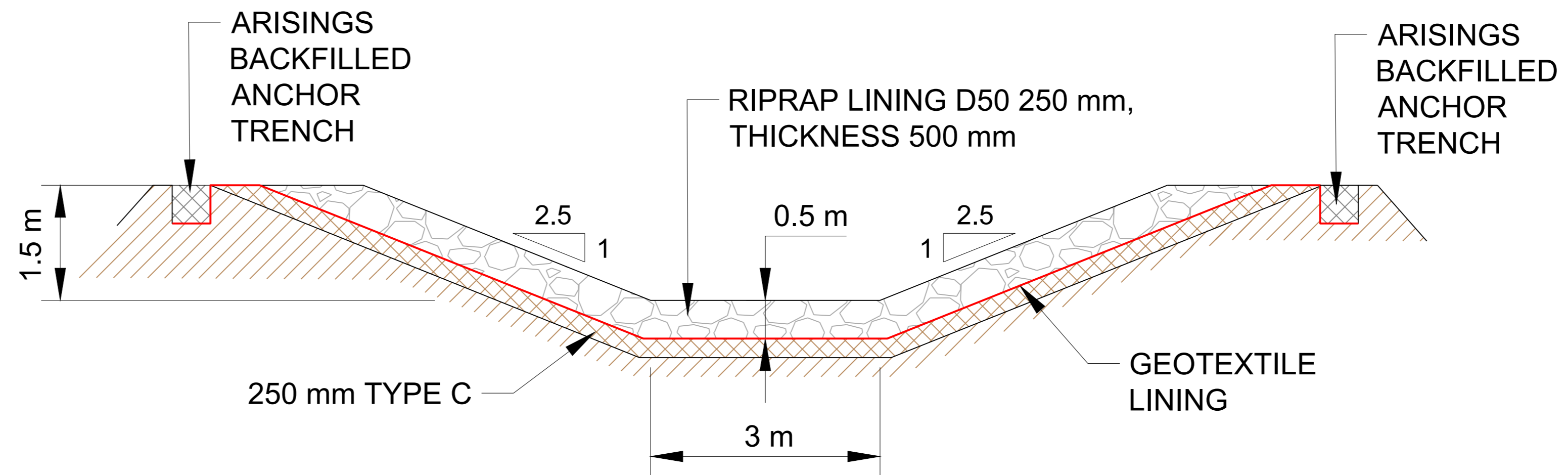


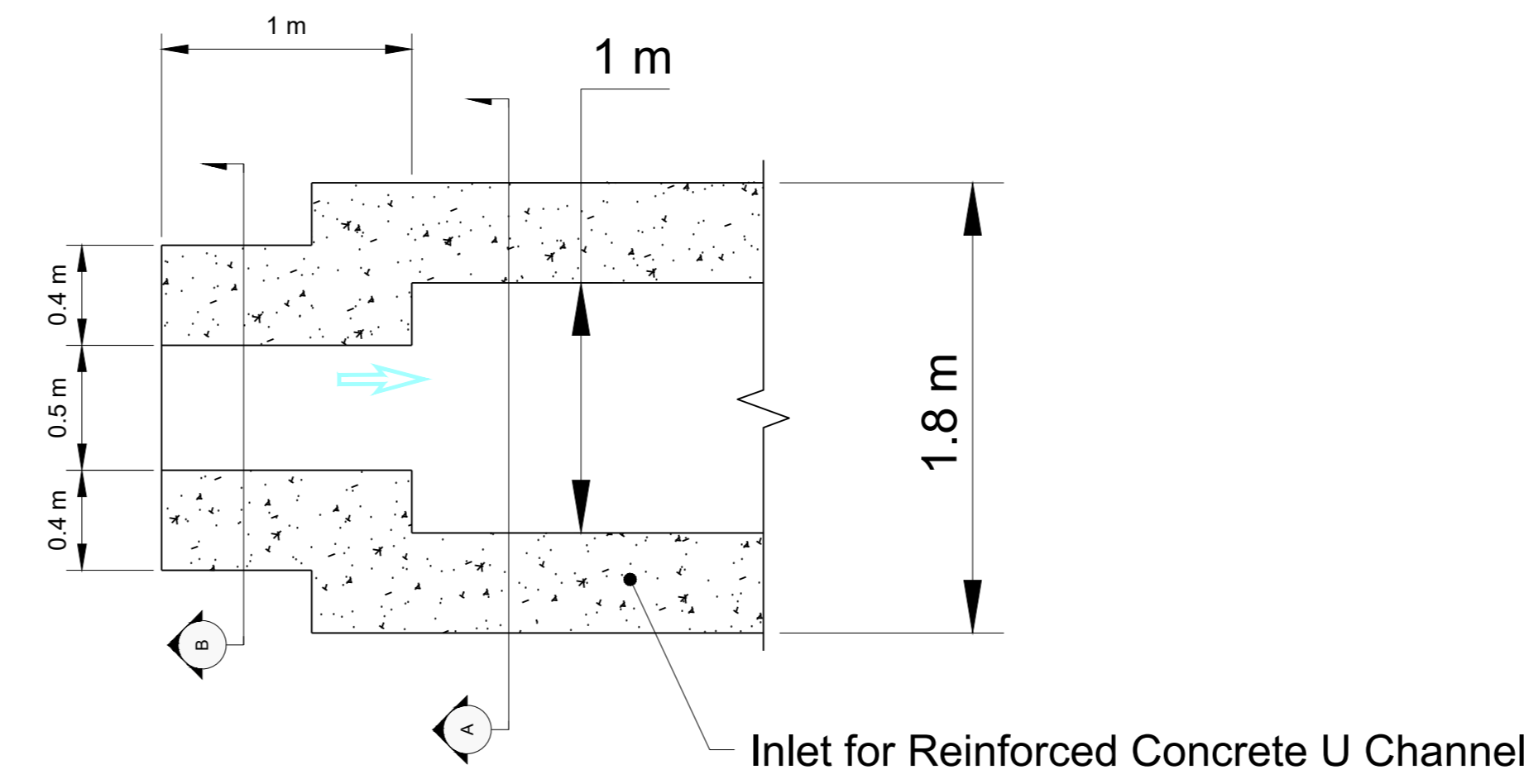
SECTION: PIC Breach Spillway #1
(Scale - 1:100 @ A0)



PLAN: Confluence with North Drain and Transition from Concrete U Channel to Rip-Rap Chute
(Scale - 1:100 @ A0)

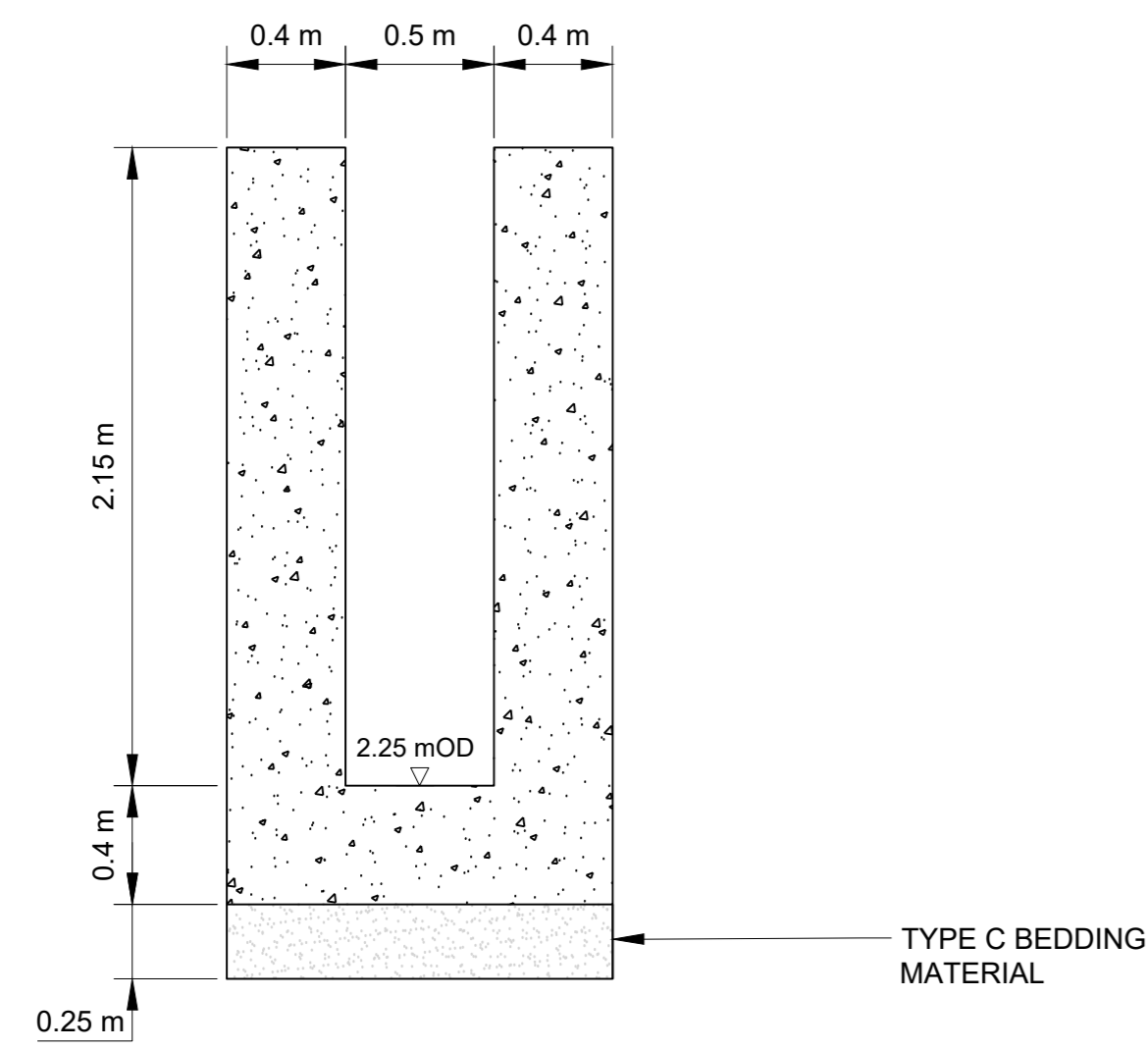


SECTION C: Rip Rap Chute
(Scale - 1:50 @ A0)



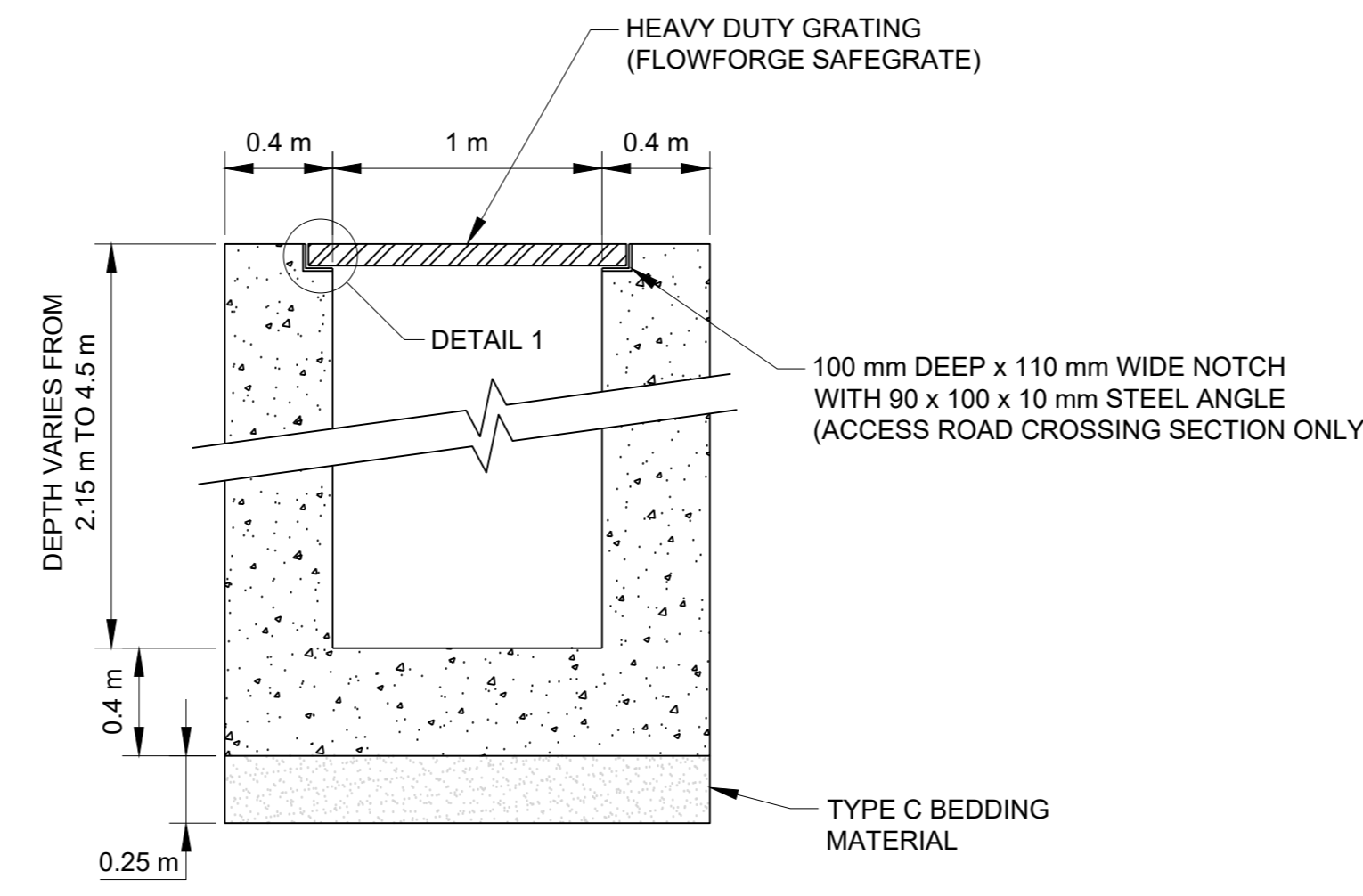
PLAN: Reinforced Concrete U Channel Inlet
(Scale - 1:25 @ A0)

REINFORCED CONCRETE U-CHANNEL RETAINING WALL NOMINAL THICKNESS 400 mm

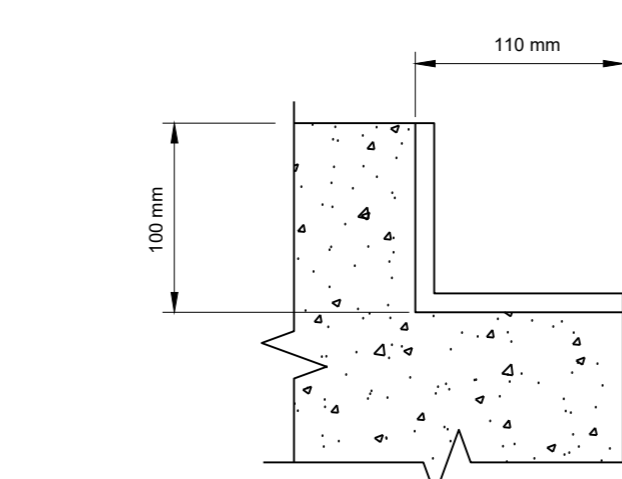


SECTION A: Reinforced Concrete U Channel Inlet
(Scale - 1:25 @ A0)

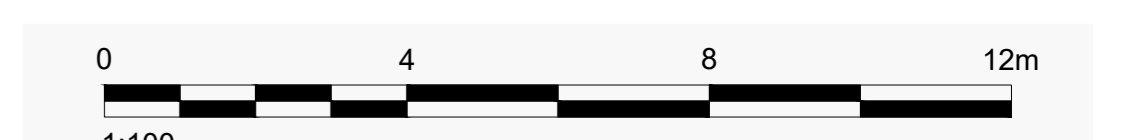
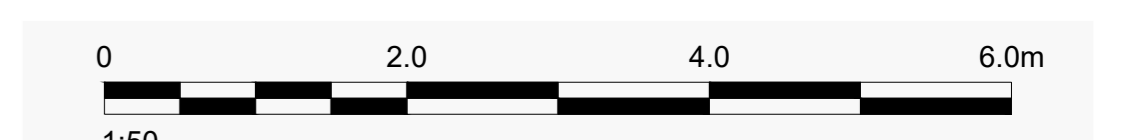
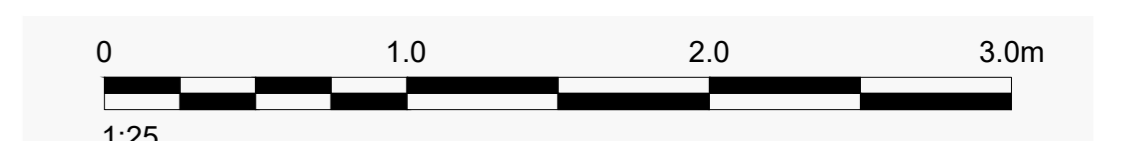
REINFORCED CONCRETE U-CHANNEL RETAINING WALL NOMINAL THICKNESS 400 mm



SECTION B: Reinforced Concrete U Channel
(Scale - 1:25 @ A0)



DETAIL 1: Notch for Grating
(NTS)



CLIENT
AUGHINISH ALUMINA LTD.

CONSULTANT

YYYY-MM-DD 2021-Oct-19
DESIGNED BK
PREPARED POB
REVIEWED BK
APPROVED BK



PROJECT
BRDA RAISE PLANNING APPLICATION DRAWINGS

TITLE

BRDA Details - Closure: PIC Breach Spillway #1
(See Drawing 10 PIC breach locations)

PROJECT NO. 20143076 DRAWING NO. 12g REV. A SCALE 25 50 100 A0

25 mm IF THIS DIMENSION DOES NOT MATCH WHAT IS SHOWN, THE SHEET SIZE HAS BEEN MODIFIED FROM ISO/A0